

**ELECTRIC BIKE SUPPLIERS**

**AGRI**CYCLES****



**2024 CATALOGUE**







# TABLE OF CONTENTS

	<b>AGRICULTURAL TRANSPORT EQUIPMENT</b>	<b>04</b>
	TM2 Support	04
	Agricultural Load	04
	Our Accessory Range	04
	TM4 Support	04
	<b>DISCOVER THE CR20</b>	<b>05 À 07</b>
	Presentation of the CR20 bike	06
	Technical characteristics	07
	<b>DISCOVER THE CR24</b>	<b>08 À 10</b>
	Presentation of the CR24 bike	09
	Technical characteristics	10
	<b>DISCOVER THE CR26</b>	<b>11 À 13</b>
	Presentation of the CR26 bike	12
	Technical characteristics	13
	<b>DISCOVER OUR ACCESSORIES</b>	<b>14-16</b>
	Lockable Top Case, 17 L	15
	Double Saddlebag	15
	Cargo Trailer	15
	Folding Side Panel Trailer	15
	Bucket Holder	15
	Chain or Combination Lock	15
	Rearview Mirror	16

## OUR WEBSITE

Visit the AGRICYCLES page on [www.tractmoi.com](http://www.tractmoi.com)

• 227 Rue Pierre Guilé (85610) CUGAND •

# AGRICULTURAL TRANSPORT EQUIPMENT



## OUR TM2 SUPPORT

The TM2 equipment allows you to transport a two-wheeled vehicle directly on your tractor. Attach it to the front or rear, using the three-point hitch, depending on your needs and the type of tractor.



## AN AGRICULTURAL MASS ?

This equipment combines the TM2 supports with an agricultural counterweight, offering load capacities of 500 kg, 750 kg, or 900 kg. Choose the one that best suits your needs!



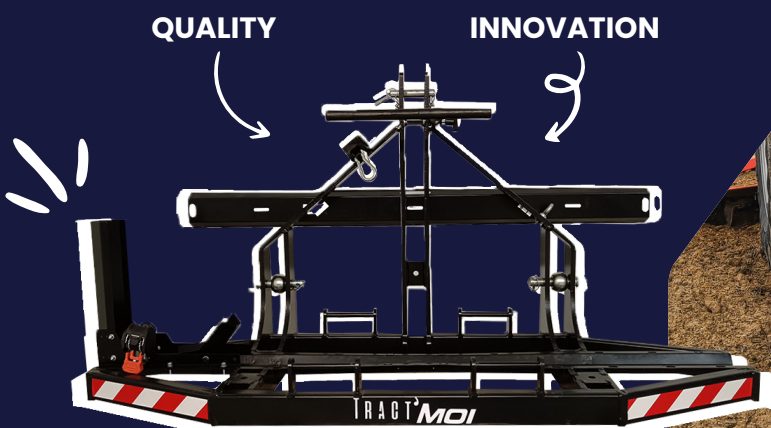
## OUR AGRICULTURAL ACCESSORIES

Tract'Moi offers a range of accessories compatible with the TM2, all designed to simplify your work. Visit our website to explore the tool box, storage chest, fuel can holder, and more.



## OUR TM4 SUPPORT

The TM4 is equipment specifically designed and manufactured for transporting ATVs. It can be attached to the front or rear of the tractor using the three-point hitch, offering great flexibility. Its numerous adjustment features allow it to quickly adapt to any ATV model. When the ATV is not being transported, the TM4 folds up so that it extends minimally.





# DISCOVER THE CR20







70 km on a single charge



Fully Suspended Frame



800-Cycle Battery



4.0" Wide Tires



Front and Rear Lights



Aluminum Frame

## COMPACT ALL-TERRAIN BIKE

750W-250W 14Ah



The CR20 is the most compact electric bike in its range. With its 20-inch tires and dual suspension, it provides a smooth ride across various terrains, including agricultural landscapes. Features such as its low frame and cushioned seat ensure a comfortable experience, combining accessibility with efficiency.



The CR20 boasts numerous advantages: a Bafang motor, a Samsung 48V 14Ah battery, and powerful hydraulic brakes. It is ideal for users ranging from 150 to 185 cm in height and supports a maximum load of 150 kg.





## Essential

Motor	Bafang 750/250 watts
Battery	48 volts 14Ah
Autonomy	70 Km
Speed	28 - 39 Km/h
Cyclist height	150 cm - 185 cm

## Batteries

Charger	110V - 240V AC, 54V 3A
Charging time	5 - 7 hours
Lifespan	800 loads

## Components

Frame	6061 aluminium
Tires	20" x 4" inches
Crankset	52 teeth
Gear shift	Shimano 7-speed
Throttle	Supplied
Fender / rack	Supplied
Lighting	250 lumens LED
LCD display	3.7" color

## Weight and Dimensions

Bike & battery weight	34 Kg
Dimensions	85 x 105 x 166 cm
Maximum load	150 Kg



EXPLORE ON OUR ACCESSORIES PAGE



Motorization: 250W, road-legal version with assistance up to 25 km/h. 750W motorization for non-road-legal use, intended for private off-road areas, with assistance up to 45 km/h. Warranty: 2 years for the bike and 1 year for the battery. A tool kit is provided for bike assembly. A unique identification number must be affixed to the bike frame.



# DISCOVER THE CR24







90 km on a single charge



Fully Suspended Frame



800 Charge Cycles



4.0" Wide Tires



Front and Rear Lights



Aluminum Frame

## VERSATILE ALL-TERRAIN BIKE 750W-250W 20Ah



The CR24 offers complete autonomy in your travels. Its low frame and high-end suspension make it a versatile bike that combines sportiness with robustness. The cleverly designed frame and 24-inch tires provide an ergonomic riding position for optimal comfort.



The CR24 is equipped with high-quality components, including a Bafang motor, a high-capacity LG 52V 20Ah battery, and a Shimano gear transmission system. It is ideal for users ranging from 165 to 200 cm in height who seek a sporty and dynamic riding experience. The CR24 supports a maximum load of 150 kg.





## Essential

Motor	Bafang 750/250 watts
Battery	52 volts 20Ah
Autonomy	90 Km
Speed	25 - 39 Km/h
Cyclist height	165 cm - 200 cm

## Batteries

Charger	110V - 240V AC, 58,8V 3A
Charging time	5 - 7 hours
Lifespan	800 loads

## Composants

Cadre	6061 aluminium
Pneus	24" x 4" inches
Pédalier	52 teeth
Dérailleur	Shimano 9-speed
Gâchette d'accélération	Supplied
Garde boue / porte bagage	Supplied
Éclairage	250 lumens LED
Écran LCD	3.7" color

## Weight and Dimensions

Bike & battery weight	42 Kg
Dimensions	85 x 105 x 193 cm
Maximum load	150 Kg



EXPLORE ON OUR ACCESSORIES PAGE



Motorization: 250W for road-legal version, providing assistance up to 25 km/h. 750W motorization for non-road-legal version, intended for private off-road use, with assistance up to 45 km/h. Warranty: 2 years for the bike and 1 year for the battery. A tool kit is provided for bike assembly. A unique identification number must be affixed to the bike frame.



# DISCOVER THE CR26







90 km on a single charge



Fully suspended frame



800-cycle battery



4.0" wide tires



Front & rear lights



Aluminum frame

## HIGH PERFORMANCE ALL TERRAIN BIKE

750W-250W 20Ah



The CR26 stands out as the most comprehensive bike in its range. With its 26-inch tires and sturdy frame, it is suitable for a wide variety of terrains. This combination ensures a versatile and enjoyable ride, regardless of the conditions.



The CR26 features advanced technical specifications, including a Bafang motor, a high-capacity LG 52V 20Ah battery, and a Shimano gear transmission system. Ideal for users ranging from 170 to 200 cm in height, the CR26 promises a dynamic and reliable riding experience. It can support a maximum load of 150 kg.





## Essential

Motor	Bafang 750/250 watts
Battery	52 volts 20Ah
Autonomy	90 Km
Speed	25 - 39 Km/h
Cyclist height	170 cm - 200 cm

## Batteries

Charger	110V - 240V AC, 58,8V 3A
Charging time	5 - 7 hours
Lifespan	800 loads

## Composants

Cadre	6061 aluminium
Pneus	26' x 4' inches
Pédalier	52 teeth
Dérailleur	Shimano 9-speed
Gâchette d'accélération	Supplied
Garde boue / porte bagage	Supplied
Éclairage	250 lumens LED
Écran LCD	3.7" color

## Weight and Dimensions

Bike & battery weight	42 Kg
Dimensions	85 x 105 x 193 cm
Maximum load	150 Kg



EXPLORE ON OUR ACCESSORIES PAGE



Motorization: 250W, road-legal version with assistance up to 25 km/h. 750W motorization for non-road-legal use, intended for private off-road areas, with assistance up to 45 km/h. Warranty: 2 years for the bike and 1 year for the battery. A tool kit is provided for bike assembly. A unique identification number must be affixed to the bike frame.



# DISCOVER OUR ACCESSORIES



NEW ACCESSORIES



1



2



3





# DISCOVER OUR ACCESSORIES

NEW ACCESSORIES

\* COMPATIBLE WITH THE CR20, CR24, AND CR26



## 17L LOCKABLE TOP CASE

3

- Durable high-resistance plastic case
- Waterproof
- 17L capacity
- Lockable with key



## 30L DOUBLE SADDLEBAGS

- Reinforced bottom
- Reflective polyester strips
- Two exterior mesh pockets
- Volume: 30 liters



## CARGO TRAILER

2

- Maximum load: 40 kg
- Plastic box with reflectors, easily removable
- External dimensions of the box: Length = 58 cm, Width = 39 cm, Height = 30 cm
- Volume: 60 liters



## FOLDING SIDE PANEL TRAILER

- Foldable steel frame
- Maximum load: 40 kg
- External frame dimensions: (L) 690 mm x (W) 480 mm x (H) 260 mm



## BUCKET HOLDER

1

- Two durable, heavy-duty plastic buckets
- Foldable steel support
- Volume: 17 liters each



## CHAIN LOCK WITH KEY OR CODE

- With reflective strips
- With textile coating
- Length: 850 mm
- Available with a 5-digit combination lock
- Available with key and dust-proof closure



# DISCOVER OUR ACCESSORIES

NEW ACCESSORIES

\* COMPATIBLE WITH THE CR20, CR24, AND CR26



## REARVIEW MIRROR

---

- Adjustable in three dimensions
- Anti-glare glass
- Mirror mount on the left





**AGRICYCLES**

---

**YOUR ELECTRIC BIKE SUPPLIER**

**OUR WEBSITE**

**Visit the AGRICYCLES page on [www.tractmoi.com](http://www.tractmoi.com)**

**• 227 Rue Pierre Guilé (85610) CUGAND •**